



McAfee Machine, Inc.

PH# (432) 580-0075 * FAX# (432) 332-0082

4021 Kermit Hwy. * P.O. Box 69038

Odessa, Texas 79769

Quality Commitment

At MMI our goal is to provide our customers with well-designed, quality products along with excellent service. MMI's production facility utilizes state-of-the-art CNC lathes and machining centers along with a CAD/CAM system to ensure superior design as well as consistent quality products. MMI has also implemented an in-house quality-control system which includes material traceability as well as corrective action abilities. All measuring tools used to manufacture and test MMI products are inspected on a regular basis and certified to be traceable back to the National Board of Standards. A full description of our quality-control procedures is contained in our Quality Control Manual. We would like to extend a sincere welcome to any of our customers who wish to inspect our facilities, records and procedures at any time. All MMI Chokes are manufactured to meet and, in some cases, exceed API Specifications. By producing 95% of MMI Chokes from raw material, we are able to assess and correct any manufacturing procedure problem which may arise. MMI Choke parts have a coded serial number used to track part performance as well as material origin. Before leaving the plant, all MMI Adjustable Chokes are tested at a pressure one and a half (1 1/2) times working pressure to insure assembly procedures. This test is a liquid tight seal test of the stem and seat and is held for a period of time.

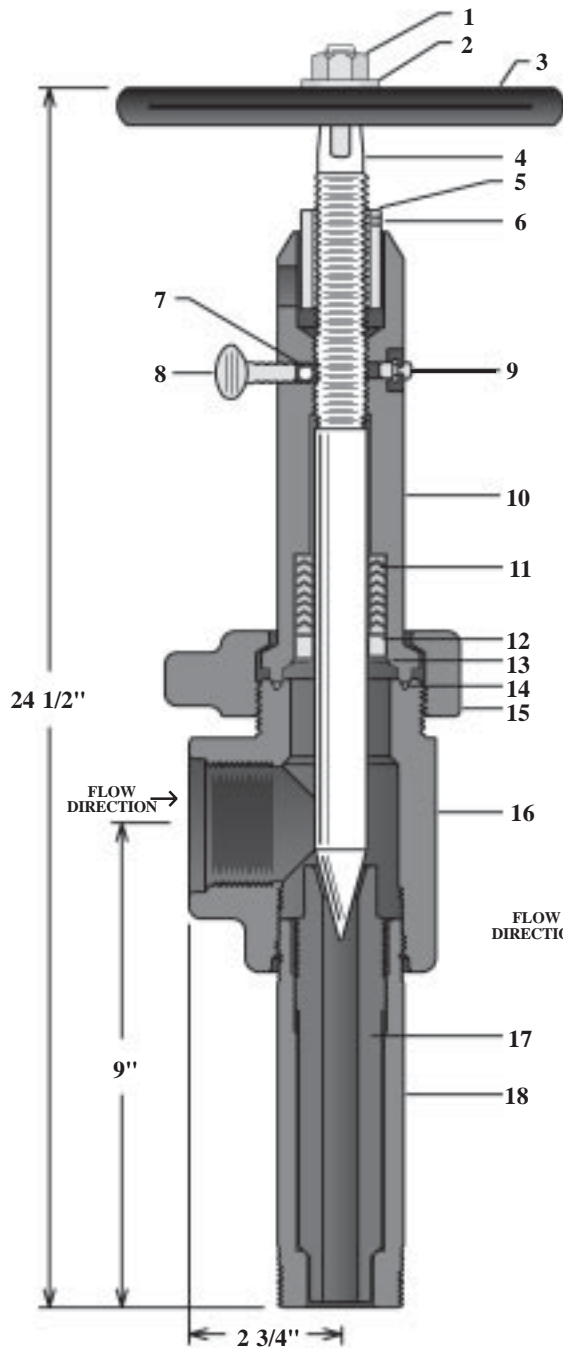
Warranty

MMI warrants products manufactured by MMI for a period of twelve months (12) from the date of purchase to be free from defects in material and workmanship when used in normal service within the recommended pressure range and purpose for which it was manufactured. MMI's liability shall be limited to repair or replacement free of charge of any part found by MMI to be defective in material or workmanship and shall not cover damages from, or any expenses connected with, misuse, accident, neglect, transportation, delays, loss of use or other direct or indirect, incidental, or consequential damages of any kind. THIS WARRANTY IS EXPRESSLY IN LIEU OF ALL OTHER WARRANTIES, EXPRESS, STATUTORY OR IMPLIED, INCLUDING THE WARRANTY OF MERCHANTABILITY AND FITNESS FOR PARTICULAR PURPOSE WHICH EXCEED THE FOREGOING WARRANTY.

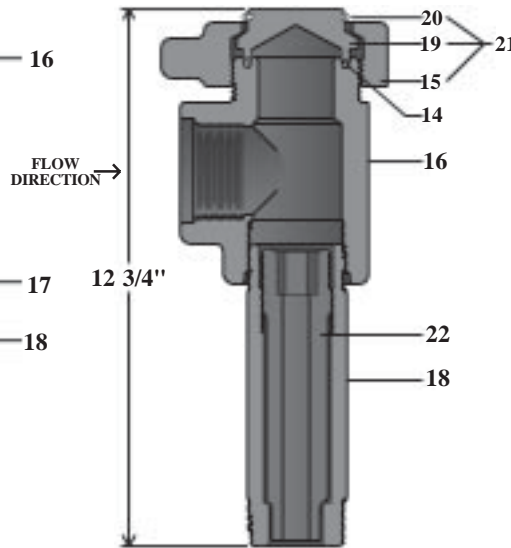
 is a registered Trademark #1,581,079 of McAfee Machine, Inc.

MMJ® Series MN-60 Choke

Two Inch 3-5000# CWP



INDEX :	PART#:	DESCRIPTION:
1	MN-4012	5/8"-N.C. HEX NUT
2		5/8 " FLAT WASHER
3	MN-503	HANDLE (SQUARE HOLE)
4	MN-4001	STEM (SPECIFY ORIFICE SIZE)
	MN-4001/C	CARBIDE STEM (SPECIFY ORIFICE SIZE)
5	MN-505	INDICATOR (SPECIFY ORIFICE SIZE)
6	MN-208	1/4"-NC SET SCREW
7	MN-4011	STEM LOCK SHOE
8	MN-4005	THUMB SCREW
9	MN-211	GREASE ZERT 1/8" NPT
10	MN-4008	BONNET
11	MN-4003	STEM PACKING
12	MN-4004	PACKING RETAINER RING
13	MN-4009	SPIROLOX RING (SNAP RING)
14	MN-4228	BONNET O-RING
15	MN-4010	COUPLING NUT
16	MN-4002	3-5000# FLOW TEE BODY
17	MN-4006	SEAT (SPECIFY ORIFICE SIZE)
	MN-4006/C	CARBIDE SEAT (SPECIFY ORIFICE SIZE)
18	MN-4007	CAGE NIPPLE
19	MN-4013	BLANKING PLUG
20	MN-4014	BLANKING PLUG RETAINER RING
21	MN-4015	BLANKING CAP ASSY.
22	MN-4016	POSITIVE BEAN F/ POS. CHOKE
	MN-4017	SEAT/BEAN WRENCH



FEATURES:

- ◆ Compatible with Other Brand Chokes
- ◆ Available in 1/2", 3/4", or 1" Trim
- ◆ Grease Fitting on Bonnet for Maintenance Purposes
- ◆ Stainless Steel or Stainless Steel Tungsten Carbide Trim Available
- ◆ Sour Service Choke is Available

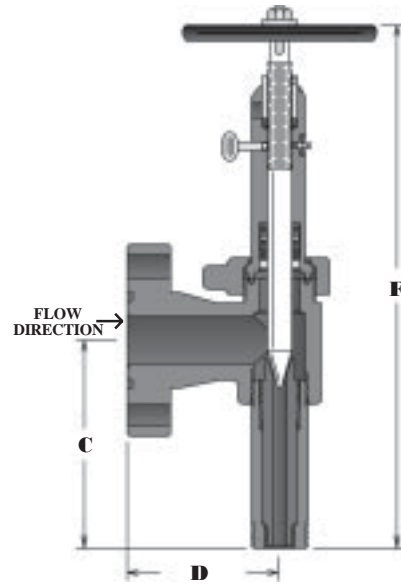
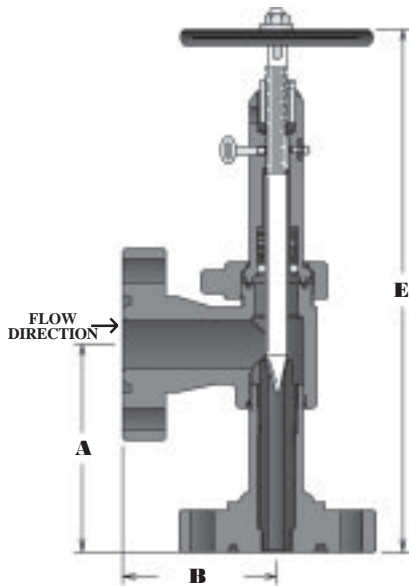


4021 KERMIT HWY. ODESSA, TEXAS 79764 PH# (432) 580-0075 FAX# (432) 332-0082

MMJ® Series MN-60 Choke

Two Inch 3-5000# CWP

FLANGED CONNECTION CHOKES



FLANGE SIZE & TYPE	DIM. "A"	DIM. "B"	DIM. "C"	DIM. "D"	DIM. "E"	DIM. "F"
2" 600# ANSI RF	9 3/8"	5 7/8"	9"	5 7/8"	24 7/8"	24 1/2"
2" 900-1500# ANSI RF	9 3/8"	5 7/8"	9"	5 7/8"	24 7/8"	24 1/2"
2" 2500# ANSI RTJ	9 3/8"	6 5/8"	9"	6 5/8"	24 7/8"	24 1/2"
2" 5M API RTJ	9 3/8"	6 5/8"	9"	6 5/8"	24 7/8"	24 1/2"
3" 600# ANSI RF	9 3/8"	5 7/8"	9"	5 7/8"	24 7/8"	24 1/2"
3" 3M API RTJ	9 3/8"	6 5/8"	9"	6 5/8"	24 7/8"	24 1/2"



OTHER OPTIONS:

- ◆ Stainless Steel
- ◆ Tungsten Carbide Trim
- ◆ Stainless Steel Trim
- ◆ Sour Service Chokes

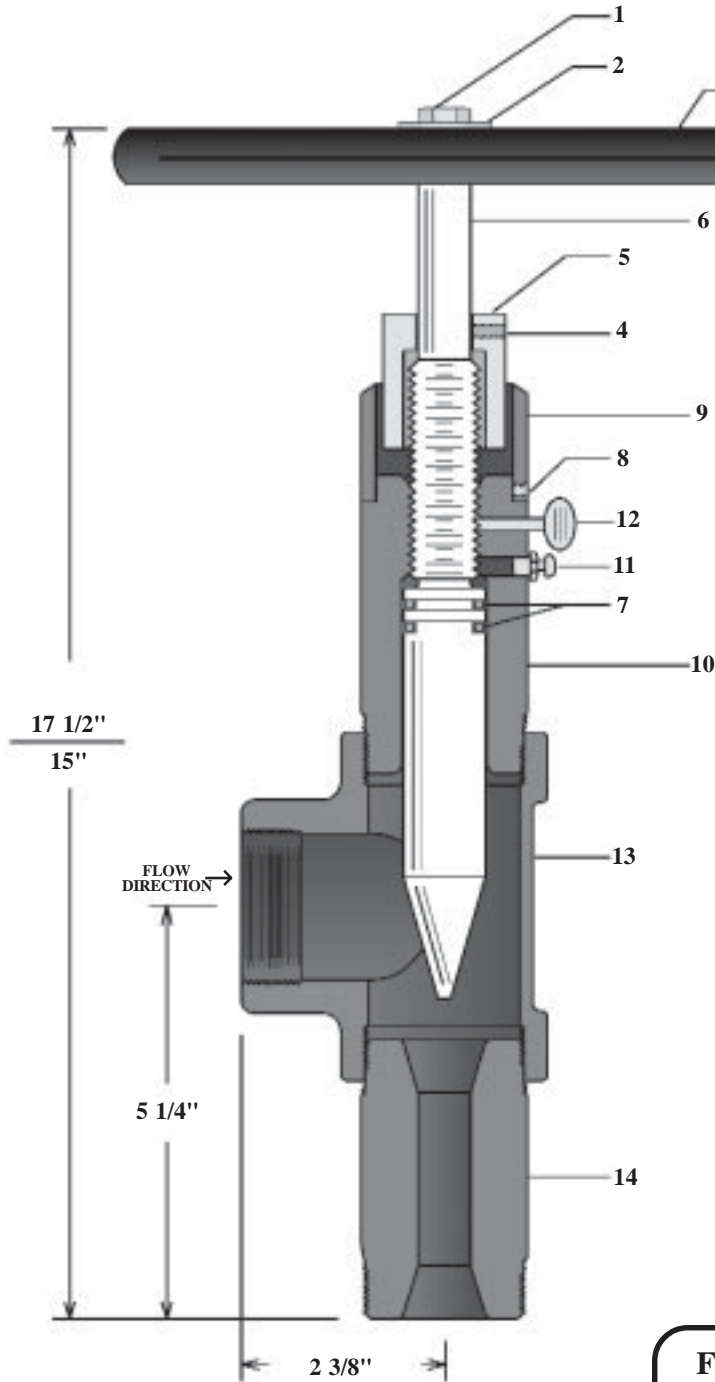


4021 KERMIT HWY. ODESSA, TEXAS 79764 PH# (432) 580-0075 FAX# (432) 332-0082

MN-60 CHOKE, p.1a

MMI® Series 20 Choke

Two Inch 2000 & 3000# CWP



INDEX :	PART#:	DESCRIPTION:
1	MMI-201	5/16"-N.C. HEX BOLT
2	MMI-202	5/16 " FLAT WASHER
3	MMI-503	HANDLE (OVAL HOLE)
4	MMI-208	1/4"-N.C. SET SCREW
5	MMI-505	INDICATOR (SPECIFY ORIFICE SIZE)
6	MMI-206	STEM
7	MMI-207	SEAL KIT
8	MN-208	1/4"-N.C. SET SCREW
9	MMI-509	CALIBRATION SLEEVE (SPECIFY ORIFICE SIZE)
10	MMI-210	BONNET
11	MN-211	GREASE ZERT 1/8"-NPT
12	MMI-212	1/4"-N.C. THUMB SCREW
13	MMI-213-2	2"-2000# TEE
13	MMI-213-3	2"-3000# TEE
14	MMI-214	SEAT, REVERSIBLE (SPECIFY ORIFICE SIZE)



FEATURES:

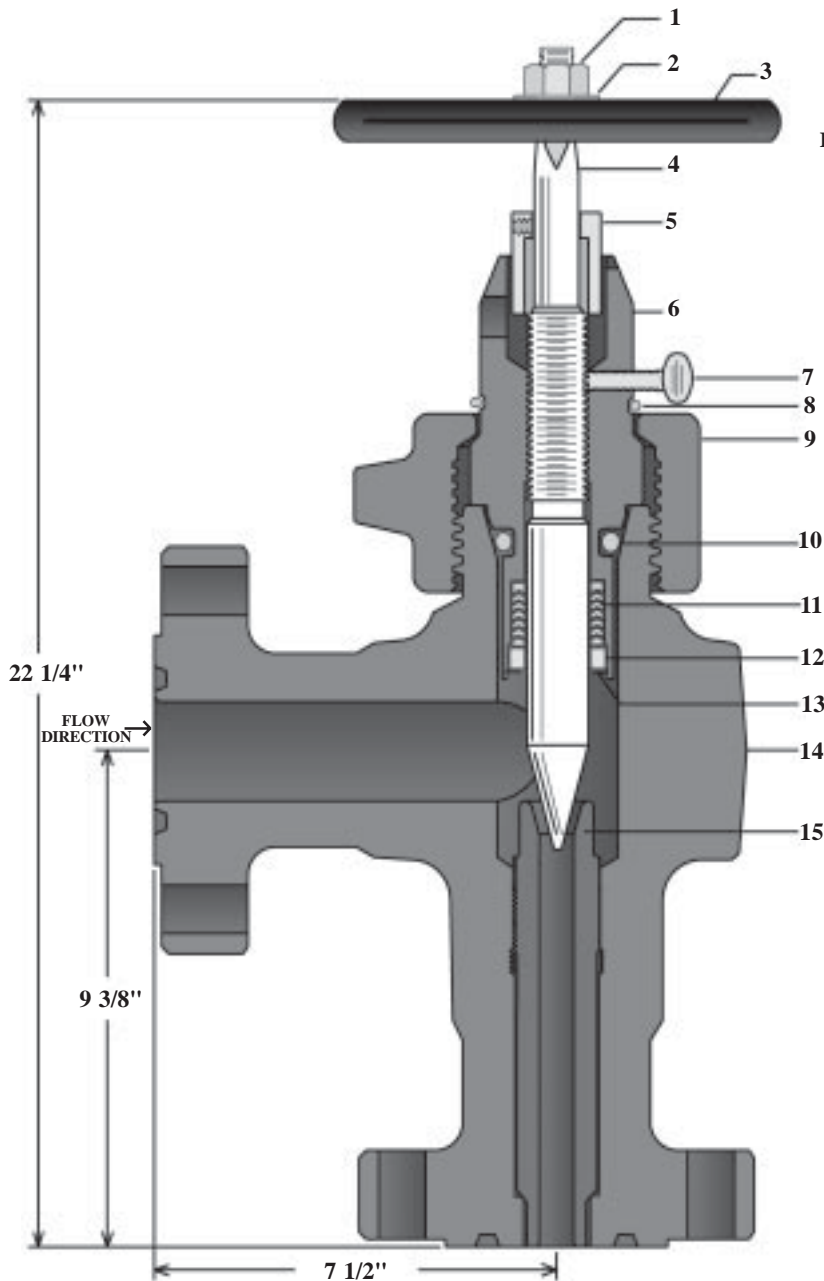
- ◆ Wide Range of Applications
- ◆ Low Cost
- ◆ Reversible Seat
- ◆ Available in 1/2", 3/4", or 1" Trim
- ◆ Grease Fitting on Bonnet for Maintenance Purposes



4021 KERMIT HWY. ODESSA, TEXAS 79764 PH# (432) 580-0075 FAX# (432) 332-0082

MMI® Series MJWA Choke

1 13/16" or 2 1/16" 10,000# CWP



INDEX :	PART#:	DESCRIPTION:
1	MN-4012	5/8"-N.C. HEX NUT
2		5/8 " FLAT WASHER
3	MN-503	HANDLE (SQUARE HOLE)
4	MMI-4011	STEM
	MMI-4011/C	CARBIDE STEM
5	MMI-4005	INDICATOR (SPECIFY ORIFICE SIZE)
6	MMI-4010	BONNET
7	MN-4005	THUMB SCREW
8	MMI-4029	BONNET RETAINER RING
9	MMI-4007	COUPLING NUT
10	MMI-4019	BONNET SEAL
11	MMI-4012	STEM PACKING
12	MMI-4020	PACKING RETAINER RING
13	MMI-4009	RETAINER RING (SNAP RING)
14	MMI-4004	BODY
15	MN-4006	SEAT (SPECIFY ORIFICE SIZE)
	MN-4006/C	CARBIDE SEAT (SPECIFY ORIFICE SIZE)
	MMI-4010/B	BLANKING PLUG
	MMI-4015	BLANKING CAP ASSY.
	MN-4016	POSITIVE BEAN F/ POS. CHOKE
	MN-4017	SEAT/BEAN WRENCH



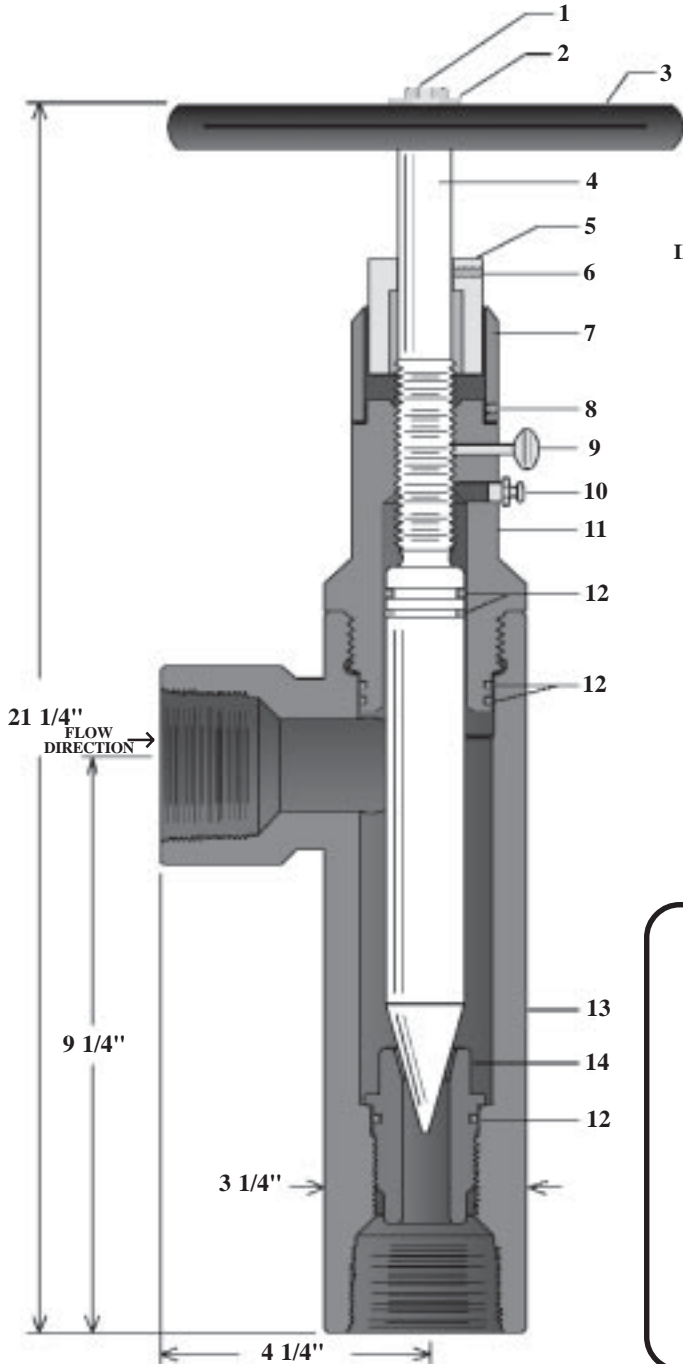
FEATURES:

- ◆ Removable Seat
- ◆ Compatible with Other Brand Chokes
- ◆ API 1 13/16" or 2 1/16" Flanged Connections
- ◆ Stainless Steel or Stainless Steel Tungsten Carbide Trim Available
- ◆ Sour Service Choke is Available



4021 KERMIT HWY. ODESSA, TEXAS 79764 PH# (432) 580-0075 FAX# (432) 332-0082

MMI Model WH Long Nose Heater Choke 2" 3500# CWP



INDEX : PART#: DESCRIPTION:

1	MMI-201	5/16"-N.C. HEX BOLT
2	MMI-202	5/16 " FLAT WASHER
3	MMI-503	HANDLE (OVAL HOLE)
4	WH-3506	STEM
	WH-3506/C	CARBIDE STEM
5	MMI-505	INDICATOR (SPECIFY ORIFICE SIZE)
6	MMI-208	1/4"-N.C. SET SCREW
7	MMI-509	CALIBRATION SLEEVE (SPECIFY ORIFICE SIZE)
8	MN-208	1/4"-N.C. SET SCREW
9	MMI-212	1/4"-N.C. THUMB SCREW
10	MN-211	GREASE ZERT 1/8"-NPT
11	WH-3511	BONNET
12	WH-35	SEAL KIT
13	WH-3515	BODY
14	WH-3516	SEAT (SPECIFY ORIFICE SIZE)
	WH-3516/C	CARBIDE SEAT (SPECIFY ORIFICE SIZE)
	WH-3500	BONNET ASSY. W/ HARDENED ALLOY STEM (includes items: 1-12)
	WH-3500/C	BONNET ASSY. W/ CARBIDE STEM
	MN-4017	SEAT/BEAN WRENCH

FEATURES:

- ◆ All Seals are of Buna-N "O" Ring Type for Ease of Seal Replacement
- ◆ Practical Price for Low Pressure Applications
- ◆ Ideal for Wellheads or Production Equipment
- ◆ Seat is Removable by Using a Standard 1 3/8" Socket
- ◆ Available in 1/2", 3/4", or 1" Trim
- ◆ Grease Fitting on Bonnet for Maintenance Purposes
- ◆ Stainless Steel or Stainless Steel Tungsten Carbide Trim Available
- ◆ Sour Service Choke is Available

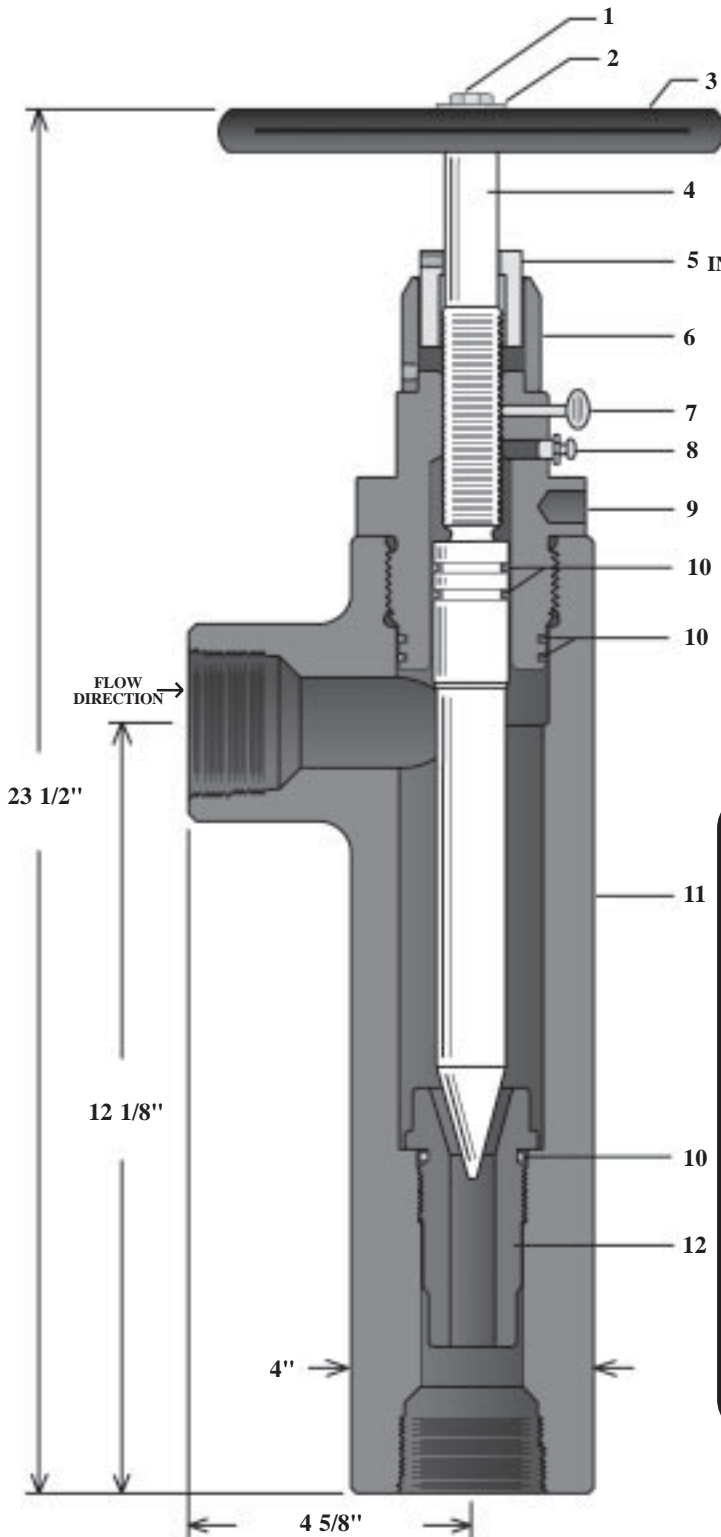


4021 KERMIT HWY. ODESSA, TEXAS 79764 PH# (432) 580-0075 FAX# (432) 332-0082

WH 3500# HEATER CHOKE, p.4

MMI Model H Long Nose Heater Choke

2" 3-5000# CWP



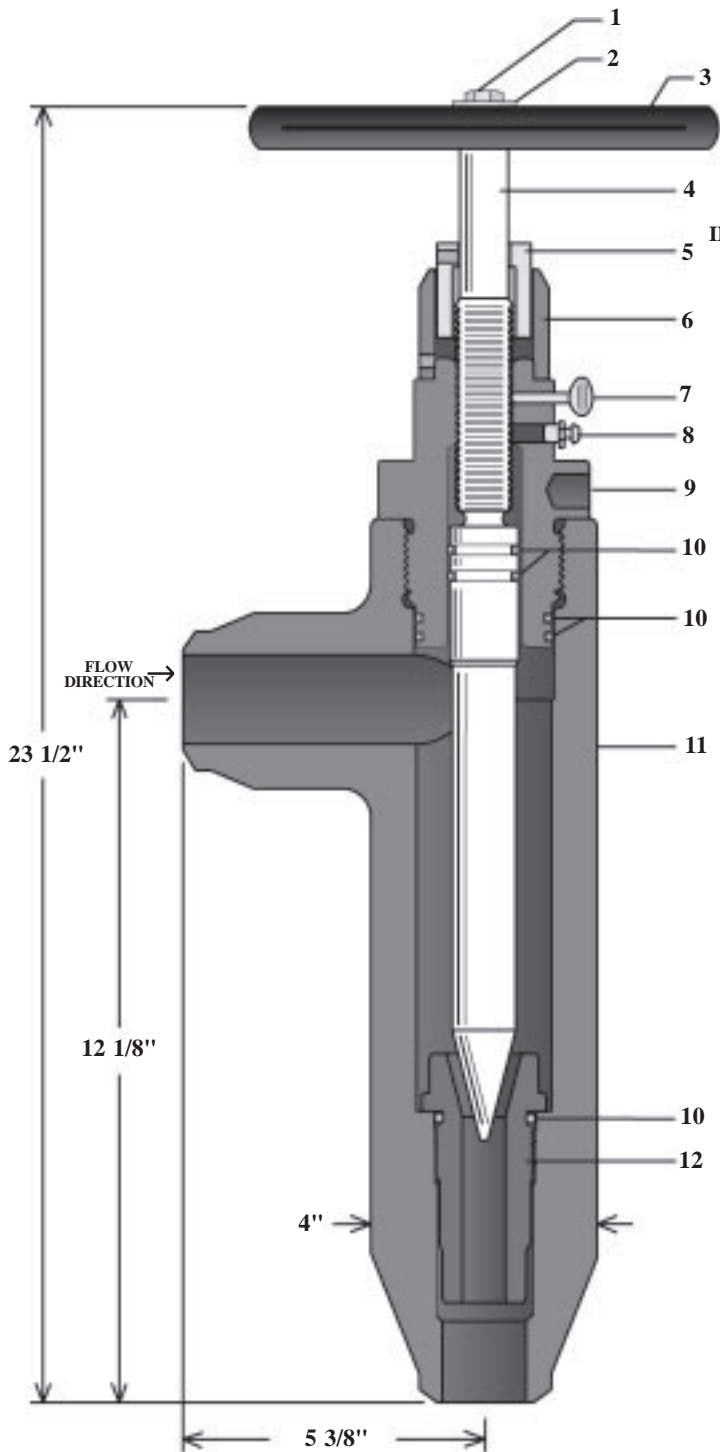
INDEX :	PART#:	DESCRIPTION:
1	MMI-201	5/16"-N.C. HEX BOLT
2	MMI-202	5/16 " FLAT WASHER
3	MMI-503	HANDLE (OVAL HOLE)
4	MMI-H-606	STEM
	MMI-H-606/C	CARBIDE STEM
5	MMI-505	INDICATOR (SPECIFY ORIFICE SIZE)
6	MMI-509	INDICATOR SLEEVE (SPECIFY ORIFICE SIZE)
7	MMI-212	THUMB SCREW
8	MN-211	GREASE ZERT 1/8"- NPT
9	MMI-H-511	BONNET
10	MMI-H-25	SEAL KIT
11	MMI-H-515	BODY
12	MMI-H-616	SEAT (SPECIFY ORIFICE SIZE)
	MMI-H-616/C	CARBIDE SEAT (SPECIFY ORIFICE SIZE)
	MMI-H-617	SEAT/BEAN WRENCH

FEATURES:

- ◆ All Functional Parts are Machined from Bar Stock to Insure Consistency of Material
- ◆ All Seals are of Viton or Buna-N "O" Ring Type for Ease of Seal Replacement
- ◆ Seat is Removable by Using a Standard 1 3/4" Socket
- ◆ Stainless Steel and Stainless Steel Tungsten Carbide Trim is Available
- ◆ Actuator Assembly is Available for Automated Operations
- ◆ Available with 1/2", 3/4", or 1" Orifice
- ◆ Grease Fitting is Provided on Bonnet for Maintenance Purposes
- ◆ Sour Service Choke is Available



MMI® Model H Long Nose Heater Choke 2" 7500# CWP



INDEX :	PART#:	DESCRIPTION:
1	MMI-201	5/16"-N.C. HEX BOLT
2	MMI-202	5/16 " FLAT WASHER
3	MMI-503	HANDLE (OVAL HOLE)
4	MMI-H-606	STEM
	MMI-H-606/C	CARBIDE STEM
5	MMI-505	INDICATOR (SPECIFY ORIFICE SIZE)
6	MMI-509	INDICATOR SLEEVE (SPECIFY ORIFICE SIZE)
7	MMI-212	THUMB SCREW
8	MN-211	GREASE ZERT 1/8"- NPT
9	MMI-H-511	BONNET
10	MMI-H-25	SEAL KIT
11	MMI-H-615	BODY
12	MMI-H-616	SEAT (SPECIFY ORIFICE SIZE)
	MMI-H-616/C	CARBIDE SEAT (SPECIFY ORIFICE SIZE)
	MMI-H-617	SEAT/BEAN WRENCH

FEATURES:

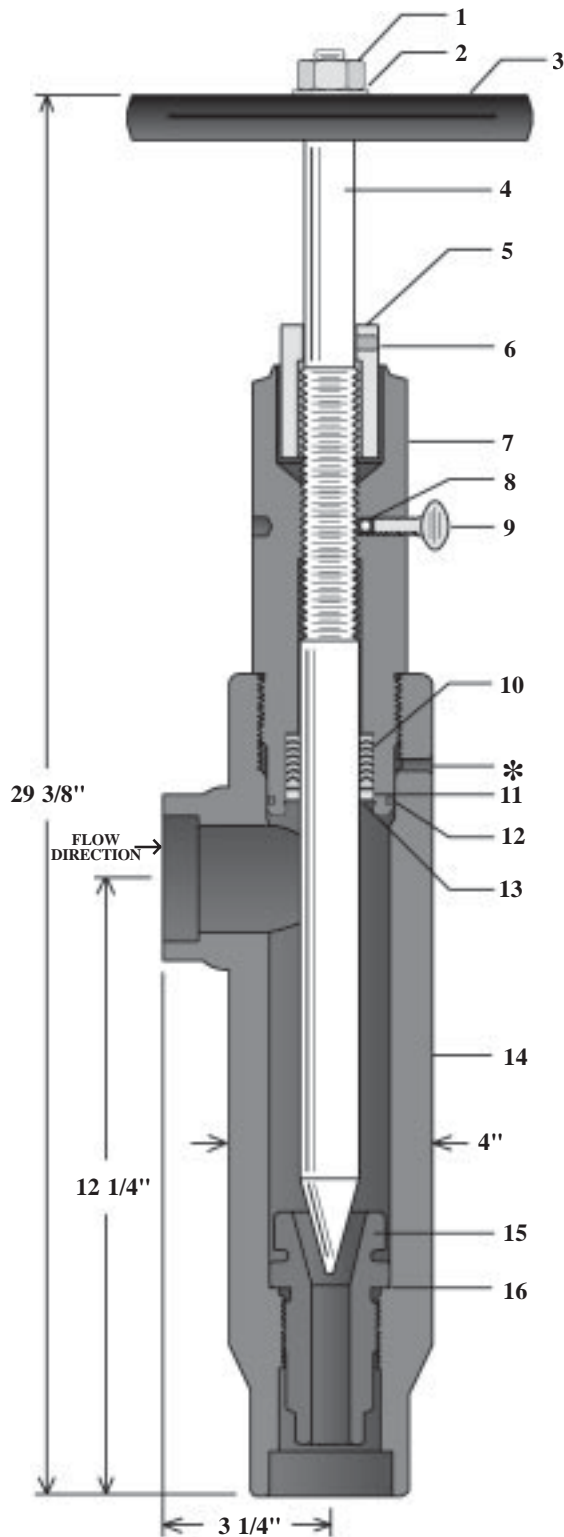
- ◆ All Functional Parts are Machined from Bar Stock to Insure Consistency of Material
- ◆ All Seals are of Viton or Buna-N "O" Ring Type for Ease of Seal Replacement
- ◆ Seat is Removable by Using a Standard 1 3/4" Socket
- ◆ Stainless Steel and Stainless Steel Tungsten Carbide Trim is Available
- ◆ Available with 1/2", 3/4", or 1" Orifice
- ◆ Actuator Assembly is Available for Automated Operations
- ◆ Available with Flanged Connections
- ◆ Grease Fitting is Provided on Bonnet for Maintenance Purposes
- ◆ Sour Service Choke is Available



4021 KERMIT HWY. ODESSA, TEXAS 79764 PH# (432) 580-0075 FAX# (432) 332-0082

MMI Model 7800 Long Nose Heater Choke

2" 7800# CWP



Description:

The MMI Model 7800 is a long nose heater choke with common compatible trim set. It also utilizes socket weld connections for rapid and economical vessel installations.

*With the inclusion of the bleeder hole the user is warned if the unit still contains pressure.

INDEX :	PART#:	DESCRIPTION:
1	MN-4012	5/8"-N.C. HEX NUT
2		5/8 " FLAT WASHER
3	MMI-9403	HANDLE (HALF HOLE)
4	MMI-2002	STEM
	MMI-2002/C	CARBIDE STEM
5	MMI-2010	INDICATOR (SPECIFY ORIFICE SIZE)
6		SET SCREW 5/16"-N.C.
7	MMI-7811	BONNET
8	MMI-2028	STEM LOCK SHOE
9	MMI-2018	STEM LOCK
10	MMI-2005	STEM PACKING
11	MMI-2013	STEM BEARING
12	MMI-7810	BONNET SEAL
13	MMI-2007	RETAINER RING (SNAP RING)
14	MMI-7815	BODY
15	MMI-2003	SEAT (SPECIFY ORIFICE SIZE)
	MMI-2003/C	CARBIDE SEAT (SPECIFY ORIFICE SIZE)
16	MMI-2006	SEAT GASKET
	MMI-2017	SEAT/BEAN WRENCH

FEATURES:

- ◆ 100% Compatible with Thornhill-Craver Equivalent Choke
- ◆ Trim is Compatible with Other Brand Chokes
- ◆ Stainless Steel or Stainless Steel Tungsten Carbide Trim is Available
- ◆ Available with 1/2", 3/4", or 1" Orifice
- ◆ 2" Socket Weld Connections
- ◆ Sour Service Choke is Available



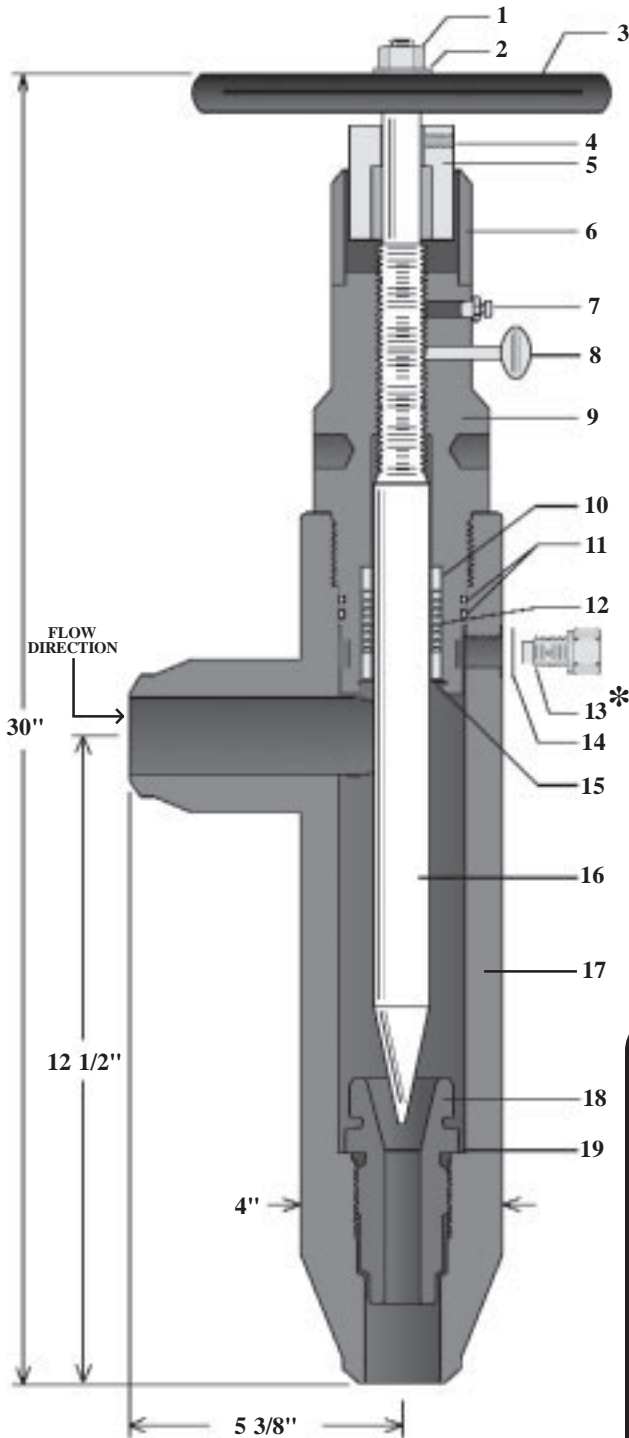
MMI Model 9400 Long Nose Heater Choke

2" 9400# CWP

Description:

The MMI Model 9400 is a long nose heater choke with common compatible trim set. It also utilizes 2" XX Hvy. butt weld connections for confident high pressure vessel installations.

***BLEEDER PLUG MUST BE REMOVED BEFORE ATTEMPTING TO REMOVE BONNET.** With the inclusion of the bleeder plug, the user is warned if the unit still contains pressure.



INDEX :	PART#:	DESCRIPTION:
1	MN-4012	5/8"-N.C. HEX NUT
2		5/8 " FLAT WASHER
3	MMI-9403	HANDLE (HALF HOLE)
4		SET SCREW 5/16"-N.C.
5	MMI-2010	INDICATOR (SPECIFY ORIFICE SIZE)
6	MMI-9409	CALIBRATION SLEEVE
7	MN-211	GREASE ZERT 1/8"- NPT
8	MN-4005	THUMB SCREW
9	MMI-9411	BONNET
10	MMI-2013	STEM BEARING (2 REQ.)
11	MMI-9425	SEAL KIT (includes items: 11, 12, 14, 19)
12	MMI-2005	STEM PACKING
13	MMI-9408	BLEEDER PLUG
14	MMI-9407	BLEEDER PLUG GASKET
15	MMI-2007	RETAINER RING (SNAP RING)
16	MMI-2002	STEM
	MMI-2002/C	CARBIDE STEM
17	MMI-9415	BODY
18	MMI-2003	SEAT (SPECIFY ORIFICE SIZE)
	MMI-2003/C	CARBIDE SEAT (SPECIFY ORIFICE SIZE)
19	MMI-2006	SEAT GASKET
	MMI-2017	SEAT/BEAN WRENCH

FEATURES:

- ◆ Flanged Connections are Available
- ◆ Actuator Assembly is Available for Automated Operations
- ◆ Trim is Compatible with Other Brand Chokes
- ◆ Stainless Steel or Stainless Steel Tungsten Carbide Trim is Available
- ◆ Available with 1/2", 3/4", or 1" Orifice
- ◆ Grease Fitting is Provided on Bonnet for Maintenance Purposes
- ◆ Sour Service Choke is Available



4021 KERMIT HWY. ODESSA, TEXAS 79764 PH# (432) 580-0075 FAX# (432) 332-0082

MMI9400# HEATER CHOKE, p.8

MMI Model H Long Nose Heater Choke

2 1/2" 10-15,000# CWP

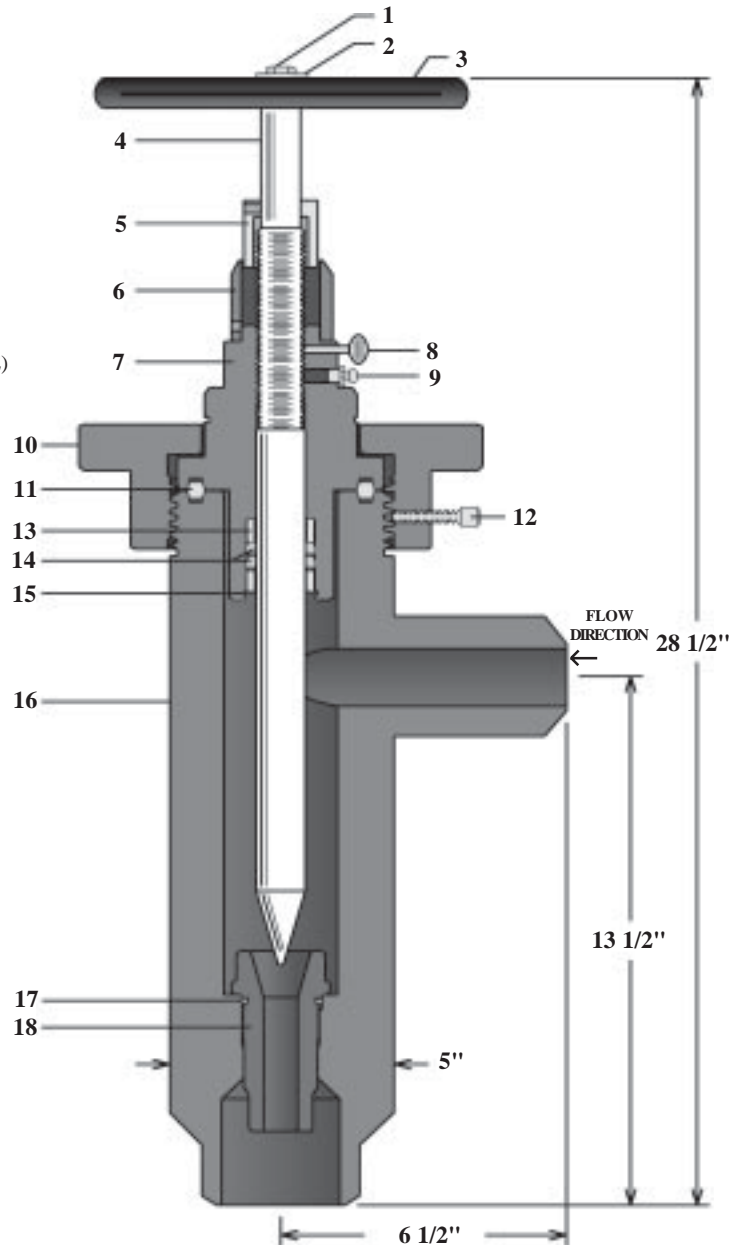
Description:

The MMI Model H 10-15,000# is a long nose heater choke with stainless steel carbide trim. It utilizes a 2 1/2" XXX Hvy. butt weld inlet with 3" XX Hvy. butt weld outlet for confident high pressure vessel installations.

INDEX :	PART#:	DESCRIPTION:
1	MMI-201	5/16"-N.C. HEX BOLT
2	MMI-202	5/16 " FLAT WASHER
3	MMI-503	HANDLE (OVAL HOLE)
4	MMI-10-003	CARBIDE STEM
5	MMI-505	INDICATOR (SPECIFY ORIFICE SIZE)
6	MMI-509	INDICATOR SLEEVE (SPECIFY ORIFICE SIZE)
7	MMI-10-007	BONNET
8	MMI-212	THUMB SCREW
9	MN-211	GREASE ZERT 1/8"-NPT
10	MMI-10-006	HAMMER NUT
11	MMI-10-153	BONNET RING GASKET
12	MMI-10-014	LOCK SCREW
13	MMI-10-016	PACKING RING (2 REQ.)
14	MMI-10-012	STEM PACKING
15	MMI-10-015	SNAP RING
16	MMI-10-004	BODY
17	MMI-10-025	SEAL KIT (includes items: 11, 14, 17)
18	MMI-H-616/C	CARBIDE SEAT (SPECIFY ORIFICE SIZE)
	MMI-H-617	SEAT/BEAN WRENCH

FEATURES:

- ◆ All Functional Parts are Machined from Bar Stock to Insure Consistency of Material
- ◆ Seat is Removable by Using a Standard 1 3/4" Socket
- ◆ Stainless Steel Tungsten Carbide Trim is Standard
- ◆ Actuator Assembly is Available for Automated Operations
- ◆ Available with 1/2", 3/4", or 1" Orifice
- ◆ Grease Fitting is Provided on Bonnet for Maintenance Purposes
- ◆ Available with Flanged Connections



MMI Model H Long Nose Heater Choke 3" 3000# CWP

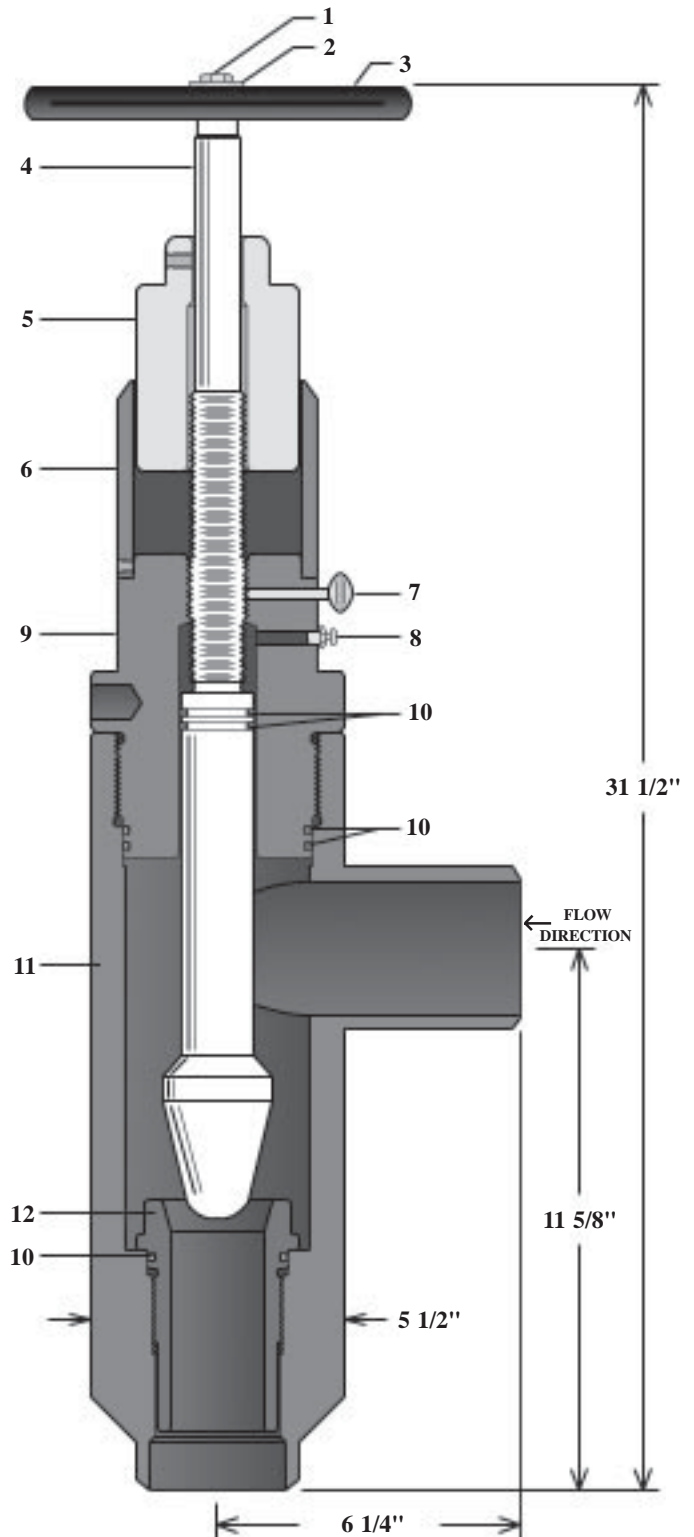
Description:

The MMI Model H 3" 3000# is a long nose heater choke with 2" orifice trim. It utilizes a 3" X Hvy. butt weld inlet with 3" X Hvy. butt weld outlet for confident high pressure vessel installations.

INDEX :	PART#:	DESCRIPTION:
1	MMI-201	5/16" -N.C. HEX BOLT
2	MMI-202	5/16 " FLAT WASHER
3	MMI-503	HANDLE (OVAL HOLE)
4	MMI-H-3306	2" STEM
	MMI-H-3306/C	2" CARBIDE STEM
5	MMI-3305	2" INDICATOR
6	MMI-H-3309	INDICATOR SLEEVE
7	MMI-3312	THUMB SCREW
8	MN-211	GREASE ZERT 1/8"- NPT
9	MMI-H-3311	BONNET
10	MMI-H-33	SEAL KIT
11	MMI-H-3315	BODY
12	MMI-H-3316	2" SEAT
	MMI-H-3316/C	2" CARBIDE SEAT

FEATURES:

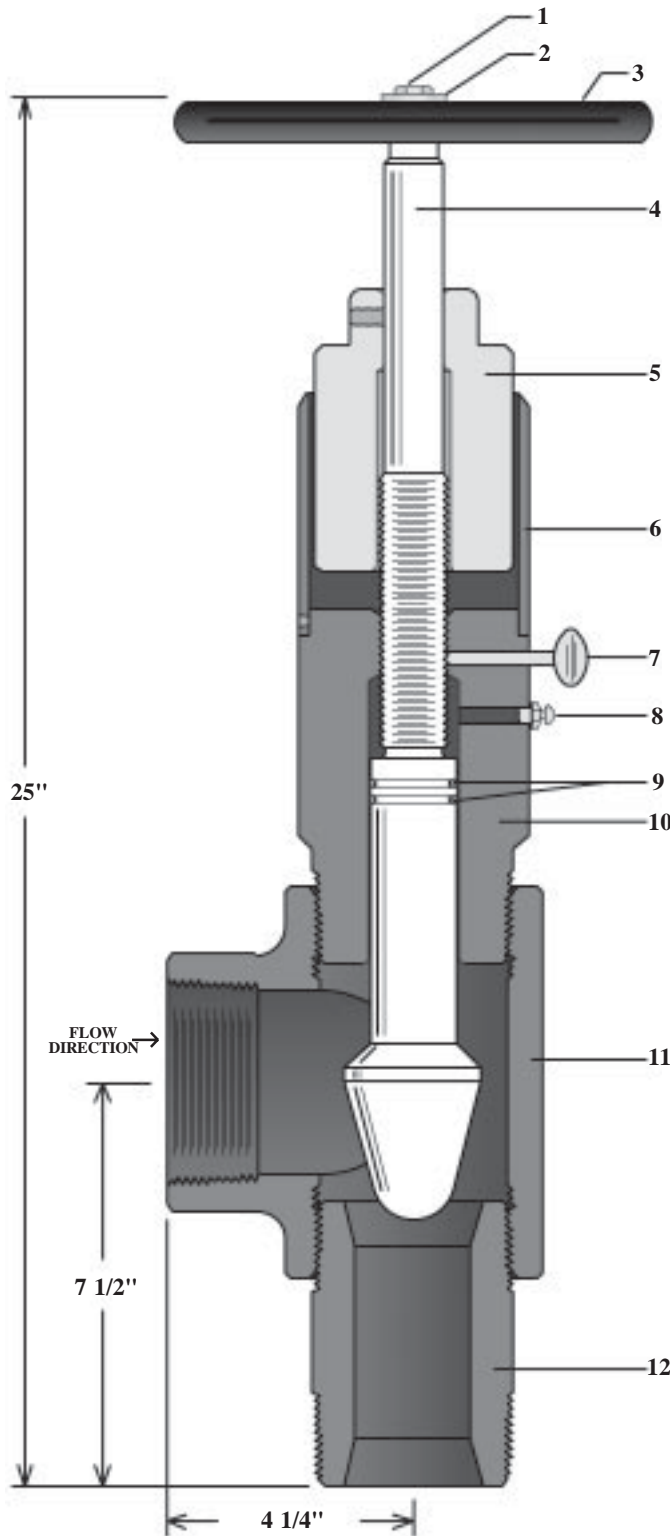
- ◆ Ideal for Wells With a High Rate of Gas
- ◆ All Functional Parts are Machined from Bar Stock to Insure Consistency of Material
- ◆ All Seals are of Buna-N "O" Ring Type for Ease of Seal Replacement
- ◆ Seat is Removable by Using a Standard 2 3/4" Socket
- ◆ Stainless Steel and Stainless Steel Tungsten Carbide Trim is Available
- ◆ Available in a 1500# with 3" Orifice Version
- ◆ Available with Flanged Connections
- ◆ Grease Fitting is Provided on Bonnet for Maintenance Purposes



4021 KERMIT HWY. ODESSA, TEXAS 79764 PH# (432) 580-0075 FAX# (432) 332-0082

MMI® 3" 3000# Tee Type Choke

3" 3000# CWP



Description:

The MMI 3" 3000# is a tee body type choke with 2" orifice trim. It utilizes 3" NPT threaded connections for quick and efficient line installations.

INDEX :	PART#:	DESCRIPTION:
1	MMI-201	5/16"-N.C. HEX BOLT
2	MMI-202	5/16 " FLAT WASHER
3	MMI-503	HANDLE (OVAL HOLE)
4	MMI-T-3306	2" STEM
	MMI-T-3306/C	2" CARBIDE STEM
5	MMI-3305	2" INDICATOR
6	MMI-T-3309	INDICATOR SLEEVE
7	MMI-3312	THUMB SCREW
8	MN-211	GREASE ZERT 1/8"- NPT
9	MMI-T-33	SEAL KIT
10	MMI-T-3311	BONNET
11	MMI-T-3315	BODY
12	MMI-T-3316	2" SEAT
	MMI-T-3316/C	2" CARBIDE SEAT

FEATURES:

- ◆ Ideal for Wells With a High Flow Rate
- ◆ All Seals are of Buna-N "O" Ring Type for Ease of Seal Replacement
- ◆ Alloy Seat is Reversible
- ◆ Stainless Steel and Stainless Steel Tungsten Carbide Trim is Available
- ◆ Grease Fitting is Provided on Bonnet for Maintenance Purposes



4021 KERMIT HWY. ODESSA, TEXAS 79764 PH# (432) 580-0075 FAX# (432) 332-0082

MMI® Flow Control Parts

Flow Control Parts are Available for the Following Choke Brands:

◆ **Thornhill-Craver**

◆ **Cameron Iron Works**

◆ **Oil Center Tools**

◆ **Gulfeo Industries**

◆ **National Wellhead**

MATERIALS:

- ◆ HARDENED ALLOY STEEL
- ◆ STAINLESS STEEL 304 OR 17-4
- ◆ STAINLESS STEEL WITH TUNGSTEN CARBIDE

Useful Information to Help Determine Trim Set Needed:

1. Stem Length
2. How Handwheel Is Attached To Stem (ie. Bolt or Nut)
3. Type Of Stem Packing (ie Chevron Type, O-Ring, or Other)
4. Any Number Found On the Choke Body Or Trim Set

MMI Flow Control Parts are manufactured using the same Quality-Control System used to manufacture MMI Chokes. This system includes a coded serial number for tracking part performance as well as material origin. MMI's production facility utilizes state-of-the-art CNC lathes and machining centers along with a CAD/CAM system to ensure superior design as well as consistent quality products. MMI produces 75% of MMI Flow Control Parts from raw material, and in doing so, we are able to assess and correct any manufacturing procedure problem which may arise.

Trim Sets For Any Type of Choke Can Be Produced (Patterns May Be Required).



4021 KERMIT HWY. ODESSA, TEXAS 79764 PH# (432) 580-0075 FAX# (432) 332-0082

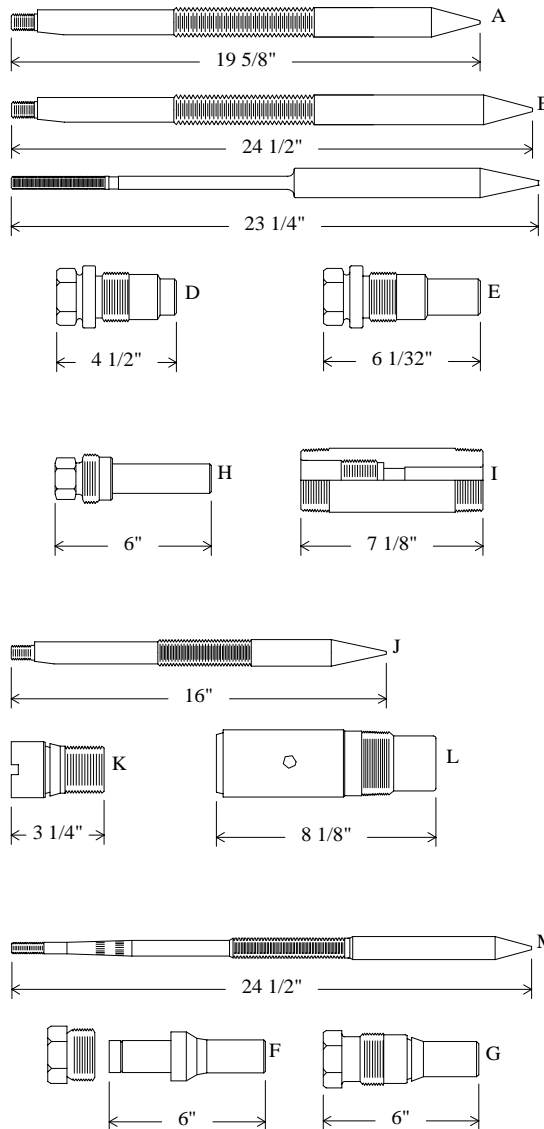
FLOW CONTROL PARTS, p.III

MMI Flow Control Parts

MATERIALS:

- ◆ HARDENED ALLOY STEEL
- ◆ STAINLESS STEEL 304 OR 17-4
- ◆ STAINLESS STEEL WITH TUNGSTEN CARBIDE

THORNHILL-CRAVER PARTS



DESCRIPTION	EQUIVALENT PART #	MMI PART#	TUNGSTEN CARBIDE PART#
A-STEM FOR ADJ. WELLHEAD CHOKE	894	MMI-2001	MMI-2001/C
B-STEM FOR LONG NOSE HEATER CHOKE	899	MMI-2002	MMI-2002/C
C-STEM FOR ACTUATOR HEATER CHOKE	2591	MMI-2002/A	MMI-2002/AC
D-SEAT FOR 3-10,000# CHOKE (SPECIFY ORIFICE SIZE)	1003A	MMI-2003	MMI-2003/C
E-SEAT FOR 6500-10,000# CHOKE (SPECIFY ORIFICE SIZE)	642	MMI-2004	MMI-2004/C
STEM PACKING FOR BOLT TYPE CHOKE	896	MMI-2005	
STEM PACKING FOR SOUR SERVICE		MMI-2005/S	
SEAT GASKET FOR 642 & 1003A SEATS	1016	MMI-2006	
PACKING RETAINER RING	959	MMI-2007	
PACKING RETAINER RING S/S		MMI-2007/S	
F-SEAT FOR TAPER TYPE 6500-20,000# CHOKE (TAPER RING SEAL)	2369	MMI-2008	MMI-2008/C
G-SEAT FOR TAPER TYPE 6500-20,000# CHOKE (O-RING SEAL)	3147	MMI-2009	MMI-2009/C
1/2" INDICATOR FOR BOLT TYPE CHOKE	848	MMI-2010	
3/4" INDICATOR FOR BOLT TYPE CHOKE	530	MMI-2010	
1" INDICATOR FOR BOLT TYPE CHOKE	531	MMI-2010	
H-FLOW BEAN FOR 1018 CAGE NIPPLE	1017	MMI-2012	MMI-2012/C
STEM BEARING FOR BOLT TYPE CHOKE	895	MMI-2013	
GASKET FOR BLEEDER PLUG	1674	MMI-2014	
COUPLING SEAL RING (2")	544	MMI-2015	
YOKE HUB SEAL RING (2 1/2")	545	MMI-2016	
SEAT/BEAN WRENCH (1812-2350-1S)	800	MMI-2017	
STEM LOCK (1/2"-NC)	529	MMI-2018	
BLEEDER PLUG FOR BOLT TYPE CHOKE	560	MMI-2019	
YOKE HUB SEAL RING (3 1/2")	612	MMI-2020	
YOKE HUB SEAL RING (TAPER TYPE)	2372	MMI-2021	
T-HEAD BOLT 5/8" x 4 1/4"	563	MMI-2022	
T-HEAD BOLT 1/2" x 3 3/4"	562	MMI-2023	
T-HEAD BOLT 7/8" x 6"	633	MMI-2024	
STEM PACKING FOR ACTUATOR CHOKE	90904	MMI-2025	
SEAT GASKET FOR 1017 FLOW BEAN	1019	MMI-2026	
I-CAGE NIPPLE FOR 1017 FLOW BEAN (2")	1018	MMI-2027	
STEM LOCK SHOE	90026	MMI-2028	
J-STEM FOR ECONO HEATER CHOKE	3889	MMI-2031	MMI-2031/C
K-SEAT FOR ECONO HEATER CHOKE	3888	MMI-2033	MMI-2033/C
STEM PACKING FOR MODIFIED BONNET		MMI-2035	
SEAT WRENCH FOR ECONO HEATER CHOKE		MMI-2037	
L-BONNET FOR ECONO HEATER CHOKE (MODIFIED FOR IMPROVED PACKING)		MMI-2038	
M-STEM FOR 15,000# TAPER TYPE HEATER CHOKE	2491	MMI-2041	
STEM PACKING FOR 15-20,000# TAPER TYPE CHOKE	2445	MMI-2043	
STEM BEARING FOR 15- 20,000# TAPER TYPE CHOKE	2391	MMI-2044	
INDICATOR FOR 15-20,000# TAPER TYPE CHOKE	2403	MMI-2045	
PACKING RETAINER RING FOR 15-20,000# TAPER TYPE CHOKE	1984	MMI-2049	

MMI Trim Sets Are Manufactured With Today's Latest Equipment. Our Complete Computer Operated Production Facility Enables Us To Offer Economical Prices Along With Consistent Quality.



4021 KERMIT HWY. ODESSA, TEXAS 79764 PH# (432) 580-0075 FAX# (432) 332-0082

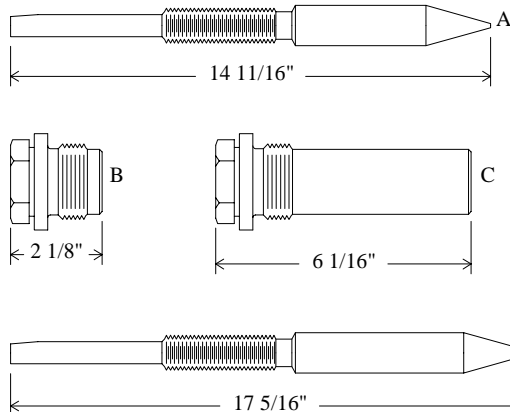
FLOW CONTROL PARTS, p.12

MMI® Flow Control Parts

MATERIALS:

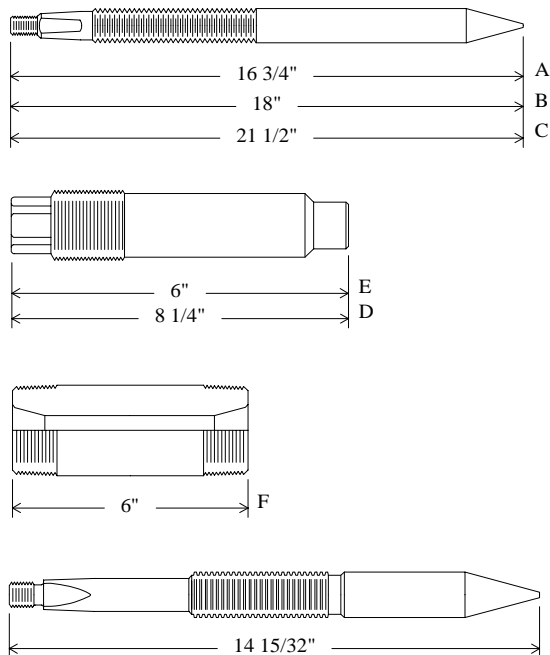
- ◆ HARDENED ALLOY STEEL
- ◆ STAINLESS STEEL 304 OR 17-4
- ◆ STAINLESS STEEL WITH TUNGSTEN CARBIDE

CAMERON IRON WORKS PARTS



DESCRIPTION	EQUIVALENT PART #	MMI PART#	TUNGSTEN CARBIDE PART#
A-STEM FOR H2 TYPE CHOKE	19688-1	MMI-3001	MMI-3001/C
B-SEAT FOR H2 TYPE CHOKE	627111-1	MMI-3002	MMI-3002/C
STEM PACKING FOR H2 (U-TYPE)	227127-1	MMI-3003	
JUNK RING FOR PACKING (2 REQ.)	21817-11	MMI-3004	
INDICATOR FOR H2 TYPE (2" NOM.)	627623-1	MMI-3005	
SEAT GASKET FOR H2 TYPE CHOKE	14181-01	MMI-3006	
RETAINER RING FOR PACKING	15345-7	MMI-3007	
C-SEAT/BEAN FOR 2" 5-15M H2 CHOKE	36905-01	MMI-3009	MMI-3009/C
BONNET O-RING	702640	MMI-3010	
SEAT WRENCH FOR H2 TYPE CHOKE		MMI-3017	
D-STEM FOR H2 TYPE 15M CHOKE		MMI-3021	MMI-3021/C
INDICATOR FOR H2 2" ORIFICE (3" NOM.)		MMI-3305	

OIL CENTER TOOL (OCT) PARTS



DESCRIPTION	EQUIVALENT PART #	MMI PART#	TUNGSTEN CARBIDE PART#
A-STEM FOR N-60 & O-60 CHOKE	15-181-105	MN-4001	MN-4001/C
E-SEAT FOR HEATER CHOKE	15-241-105	MMI-4002	MMI-4002/C
B-STEM FOR N-62 & HEATER CHOKE	15-191-105	MMI-4003	MMI-4003/C
INDICATOR FOR 5-10M JWA CHOKE	15-021-141	MMI-4005	
D-SEAT FOR N-60, O-60, & JWA CHOKE	15-021-183	MN-4006	MN-4006/C
F-SEAT NIPPLE FOR O-60 CHOKE	15-160-005	MMI-4006	MMI-4006/C
CAGE NIPPLE FOR N-60 CHOKE	15-140-010	MN-4007	
BONNET FOR JWA 5M CHOKE	15-011-500	MMI-4008	
RETAINER RING FOR JWA 5-15M CHOKE	15-011-140	MMI-4009	
BONNET FOR JWA 10M CHOKE	15-011-524	MMI-4010	
G-STEM FOR JWA 5-10M CHOKE	15-011-525	MMI-4011	MMI-4011/C
STEM PACKING FOR JWA 5-10M CHOKE	48-080-335	MMI-4012	
STEM PACKING F/ 5-10M SOUR SERVICE		MMI-4012/S	
STEM PACKING FOR JWA 15M CHOKE	15-011-575	MMI-4014	
WRENCH FOR N-60, O-60, & JWA CHOKE		MN-4017	
BONNET SEAL FOR JWA 5M CHOKE	48-080-046	MMI-4018	
BONNET SEAL FOR JWA 10M CHOKE	48-080-047	MMI-4019	
BONNET SEAL F/ JWA 10M SOUR SERVICE		MMI-4019/S	
PACKING RING FOR JWA 5-10M CHOKE	11-050-226	MMI-4020	
C-STEM FOR OLD STYLE YOKE	15-021-168	MMI-4021	MMI-4021/C
BONNET RETAINER RING FOR JWA 10M		MMI-4029	
BONNET SEAL FOR JWA 15M CHOKE		MMI-3010	

MMI Trim Sets Are Manufactured With Today's Latest Equipment. Our Complete Computer Operated Production Facility Enables Us To Offer Economical Prices Along With Consistent Quality.



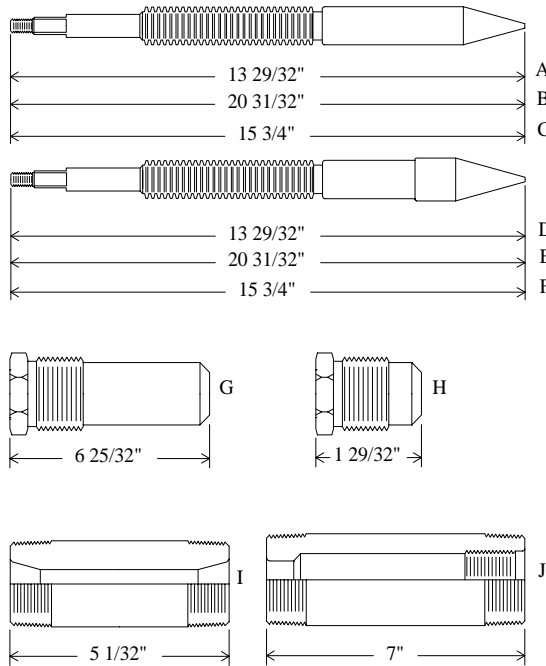
4021 KERMIT HWY. ODESSA, TEXAS 79764 PH# (432) 580-0075 FAX# (432) 332-0082

FLOW CONTROL PARTS, p.12a

MMI Flow Control Parts

MATERIALS:

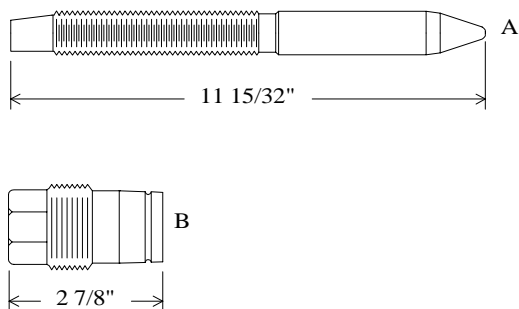
- ◆ HARDENED ALLOY STEEL
- ◆ STAINLESS STEEL 304 OR 17-4
- ◆ STAINLESS STEEL WITH TUNGSTEN CARBIDE



GULFCO PARTS

DESCRIPTION	EQUIVALENT PART #	MMI PART#	TUNGSTEN CARBIDE PART#
A-STEM FOR AB-75 CHOKE (3/4")	AB-2	MMI-5001	MMI-5001/C
D-STEM FOR AB-100 CHOKE (1")	AB-2A	MMI-5002	MMI-5002/C
B-STEM FOR AG-75 HEATER CHOKE (3/4")	AG-2A	MMI-5003	MMI-5003/C
E-STEM FOR AG-100 HEATER CHOKE (1")	AG-2A	MMI-5004	MMI-5004/C
G-SEAT FOR AB-75 CHOKE (3/4")	AB-3	MMI-5005	MMI-5005/C
G-SEAT FOR AB-100 CHOKE (1")	AB-3A	MMI-5006	MMI-5006/C
H-SEAT FOR AG-75 HEATER CHOKE (3/4")	AG-1	MMI-5007	MMI-5007/C
H-SEAT FOR AG-100 HEATER CHOKE (1")	AG-1A	MMI-5008	MMI-5008/C
I-2" SEAT NIPPLE FOR AC-75 CHOKE (3/4")	AC-2	MMI-5009	MMI-5009/C
I-2" SEAT NIPPLE FOR AC-100 CHOKE (1")	AC-2A	MMI-5010	MMI-5010/C
J-2" CAGE NIPPLE FOR AB-75 & 100 CHOKE		MMI-5011	
STEM PACKING F/ AB & AG CHOKE		MMI-5012	
C-STEM FOR ABF-75 10M FLANGED CHOKE	ABF-2	MMI-5013	MMI-5013/C
F-STEM FOR ABF-100 10M FLANGED CHOKE	ABF-2A	MMI-5013-1	MMI-5013C1
INDICATOR FOR AB & AG-75 (3/4")		MMI-5014	
INDICATOR FOR AB & AG-100 (1")		MMI-5015	
WRENCH FOR AB & AG CHOKE		MMI-5017	
PACKING RETAINER RING		MMI-5018	
BODY TO BONNET SEAL		MMI-5019	
BONNET FOR AB, AG, & ABF CHOKE		MMI-5020	
INDICATOR SLEEVE FOR AB, AG, & ABF		MMI-5029	
SNAP RING FOR PACKING		MMI-10-015	

NATIONAL WELLHEAD PARTS



DESCRIPTION	EQUIVALENT PART #	MMI PART#	TUNGSTEN CARBIDE PART#
A-STEM FOR TYPE F SERIES 1500 CHOKE	522114	MMI-6001	
PACKING SET FOR TYPE F SERIES 1500	522117A	MMI-6003	
PACKING RING FOR TYPE F SERIES 1500		MMI-6004	
INDICATOR FOR TYPE F SERIES 1500	522115	MMI-6005	
B-SEAT FOR TYPE F SERIES 1500 CHOKE	522105A	MMI-6006	MMI-6006/C
RETAINER RING FOR TYPE F SERIES 1500		MN-4009	
BONNET SEAL FOR TYPE F SERIES 1500		MMI-6010	
SEAT SEAL RING FOR TYPE F SERIES 1500		MMI-6011	

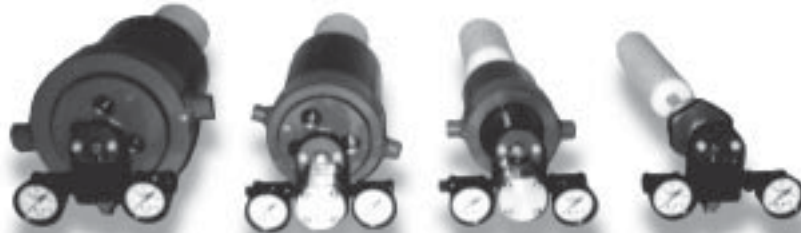
MMI Trim Sets Are Manufactured With Today's Latest Equipment. Our Complete Computer Operated Production Facility Enables Us To Offer Economical Prices Along With Consistent Quality.



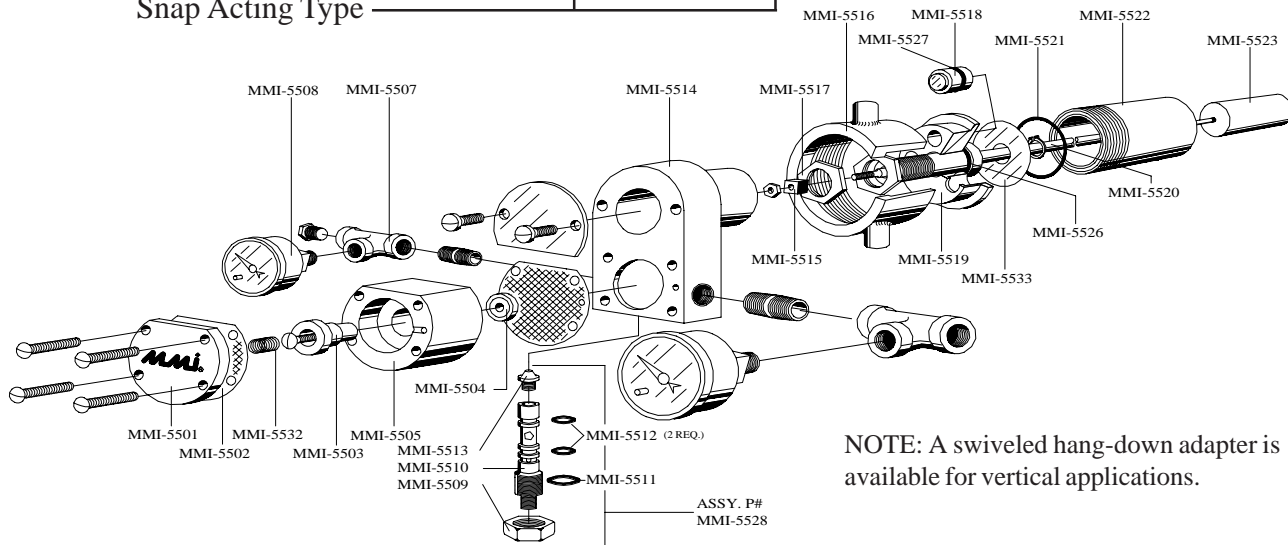
4021 KERMIT HWY. ODESSA, TEXAS 79764 PH# (432) 580-0075 FAX# (432) 332-0082

FLOW CONTROL PARTS, p.12b

MMI[®] 5500 Series Cantilever Liquid Level Controller 1500# CWP



Snap Acting Type



NOTE: A swiveled hang-down adapter is available for vertical applications.

MMI LIQUID LEVEL CONTROLLERS ARE AVAILABLE WITH ANY COMBINATION OF HEAD TYPE, VESSEL CONNECTION, TORQUE TUBE LENGTH, AND DISPLACER SIZE.

HEAD TYPES:

- ◆ THROTTLING
- ◆ SNAP ACTING

NOTE:

SIGHT GLASS FLANGE HAS 3 HOLES FOR SIGHT GLASSES AND CENTER HOLE FOR TORQUE TUBE
BLIND FLANGE HAS CENTER HOLE FOR TORQUE TUBE AND NO SIGHT GLASS HOLES
BLANK FLANGE HAS NO HOLES

VESSEL CONNECTIONS:

- ◆ 2" NPT PLUG (MALE)
- ◆ 2 1/2" x 8" SCH 160 SA-106 Gr. B WELD NECK WITH BLIND OR CLEAR FLANGE HAMMER UNION TYPE
- ◆ 3" x 8" OR 5" SCH 160 SA-106 Gr. B WELD NECK WITH BLIND OR CLEAR FLANGE HAMMER UNION TYPE
- ◆ 4" x 8" SCH 160 OR XXH SA-106 Gr. B WELD NECK WITH BLIND OR SIGHT GLASS FLANGE HAMMER UNION TYPE
- ◆ 5" x 8" XXH SA-106 Gr. B WELD NECK WITH BLIND OR SIGHT GLASS FLANGE HAMMER UNION TYPE

TORQUE TUBE LENGTHS:

- ◆ STUBBY - 7 7/8" OVER ALL LENGTH * 4 7/8" FROM FLANGE FACE * FLOATS SCREW ON
- ◆ STANDARD - 12 1/4" OVER ALL LENGTH * 9 1/4" FROM FLANGE FACE * FLOATS SCREW ON
- ◆ LONG - 19 1/2" OVER ALL LENGTH * 16 1/2" FROM FLANGE FACE * FLOATS SLIDE ON

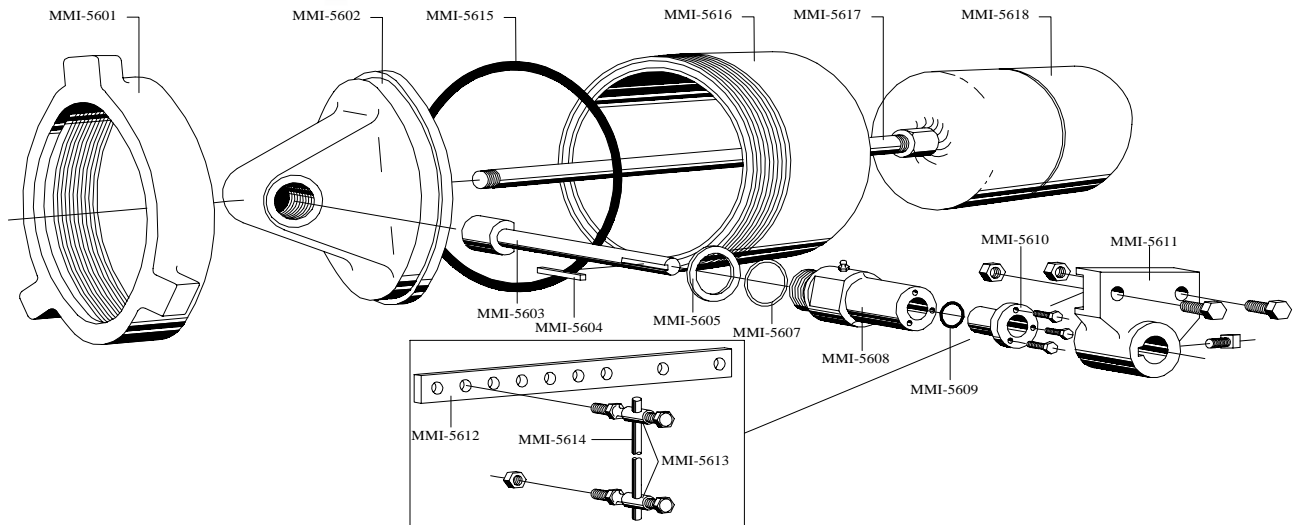
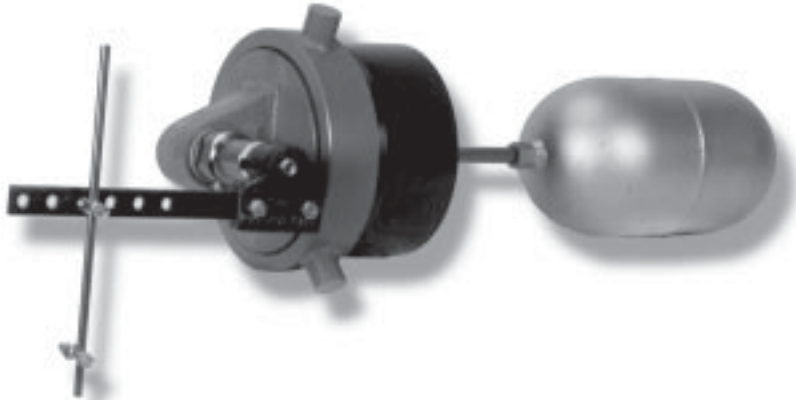
DISPLACER SIZES:

- ◆ 2" x 10" DELRIN DISPLACER (THREADED TYPE)
- ◆ 2 1/2" x 7" OR 8" DELRIN DISPLACER (THREADED TYPE) NOTE: 8" IS FOR INTERFACE SERVICE
- ◆ 3" x 7" OR 9" DELRIN DISPLACER (THREADED TYPE) NOTE: 9" IS FOR INTERFACE SERVICE
- ◆ 3 1/4" x 3" DELRIN DISPLACER (SLIDE ON TYPE) NOTE: USE 4 PIECES FOR INTERFACE SERVICE



4021 KERMIT HWY. ODESSA, TEXAS 79764 PH# (432) 580-0075 FAX# (432) 332-0082

MMI[®] 5600 Series Float Nose Liquid Level Controller 250# or 500# CWP



MMI TRUNNION ASSEMBLIES ARE AVAILABLE WITH THESE OPTIONS:

FLOAT TYPES:

- ◆ 7" x 12" PLASTIC COATED WITH 3/8" NPT CONNECTION 250# CWP
- ◆ 7" x 12" STAINLESS STEEL WITH 3/8" NPT CONNECTION 250# CWP
- ◆ 7" x 12" PLASTIC COATED WITH 3/8" NPT CONNECTION 500# CWP

FLOAT ARM LENGTHS:

- ◆ 3/8" NPT x 12", 14", 16", 18", 20", 24", AND 30"

WELD NECK LENGTHS:

- ◆ 5" OR 8" SCH 100 SA-106 Gr. B

FEATURES:

- ◆ STEM SEAL REPLACEMENT IS POSSIBLE WITHOUT COMPLETE DISASSEMBLY OF STUFFING BOX
- ◆ GREASE FITTING IS PROVIDED FOR MAINTENANCE PURPOSES

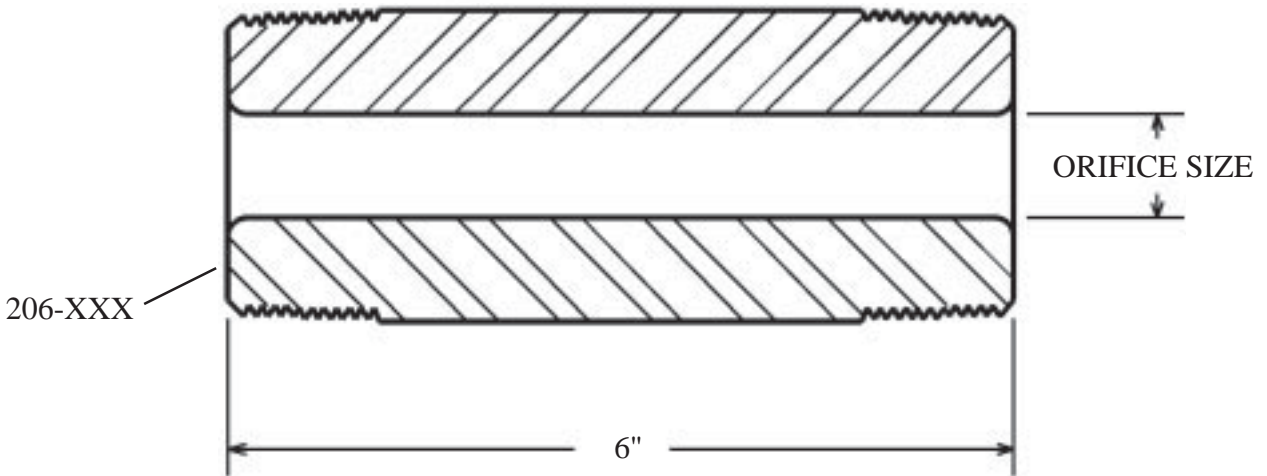
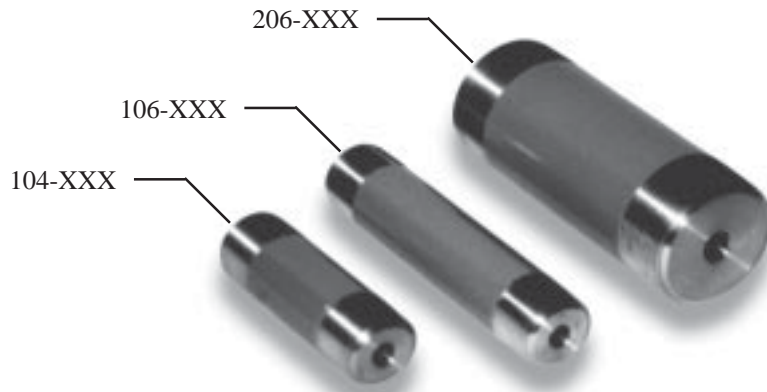


4021 KERMIT HWY. ODESSA, TEXAS 79764 PH# (432) 580-0075 FAX# (432) 332-0082

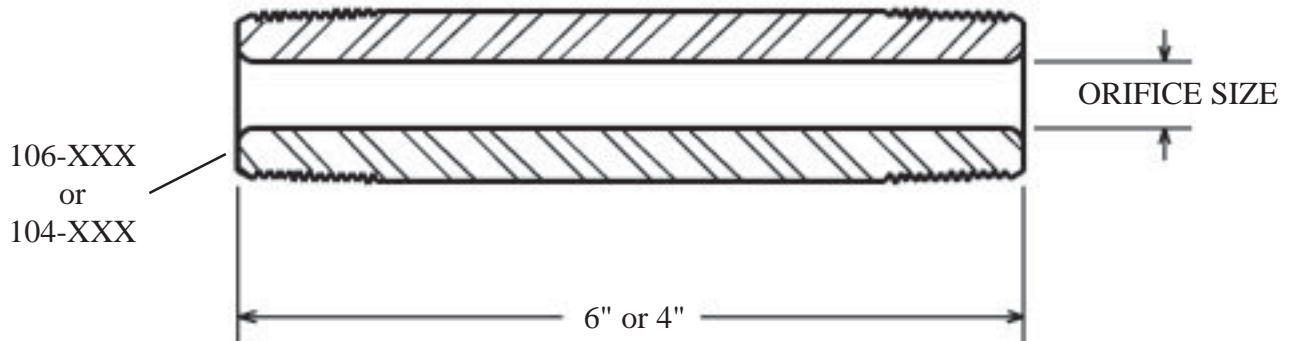
MMILEVEL CONTROLS, p.14

MMJ[®] Choke Nipples

2" and 1"



Base part#	Type	1-Carbon Steel
		2-Heat Treated
206- or 106- or 104-	Orifice Size	25-1/4"
		37-3/8"
		50-1/2"
		62-5/8"
		75-3/4"
		10-1"





McAfee Machine, Inc.

PH# (432) 580-0075 * FAX# (432) 332-0082

4021 Kermit Hwy. * P.O. Box 69038

Odessa, Texas 79769

TERMS AND CONDITIONS

Our terms are net thirty (30) days. All boxing, freight, cartage and like charges are net thirty (30) days.

All sales are F.O.B. Factory, unless otherwise stated. Our responsibility ceases upon delivery of goods and bill of lading or dock receipt and invoice to the customer or his agent, or upon our delivery of the shipment to the carrier.

All price quotations are F.O.B. Factory, are subject to change without notice, and are also for immediate acceptance unless otherwise stated. Delivery dates promised will be kept to the best of our ability, but can not be guaranteed. MMI will assume no liability for damages arising out of failure to keep delivery dates, irrespective of the delay. Purchase orders accepted can be canceled only with MMI's consent and upon terms which will indemnify MMI against loss.

MMI will accept for return at our Odessa Facility all standard catalog items that are in saleable condition, after receiving permission from MMI. Permission is routinely granted when correct purchase information is furnished. Credit will be issued subject to the terms of our Return Policy.

MMI reserves the right to change or modify the design and/or construction of any MMI product in the due course of manufacturing procedure without notice, and without incurring any obligation to furnish or install such changes or modifications on products previously or subsequently sold.

All sales made by MMI, unless otherwise agreed in writing by an executive officer of the company, are made subject to each and all of the foregoing conditions. The placing of an order, or the acceptance of delivery of material by the customer, or the use thereof by him, shall constitute acceptance by the customer of all of the above said conditions.

RETURN POLICY

1. New, unused products of our current manufacture and catalog specifications may be returned for credit upon permission of MMI.
2. Material returned for credit shall be shipped via prepaid freight to our specified destination.
3. The credit allowed on returned goods is a merchandise credit and is applicable only against future purchases of our product.
4. Credit will be allowed at the lower of current net prices or the prices at which the material was originally purchased.